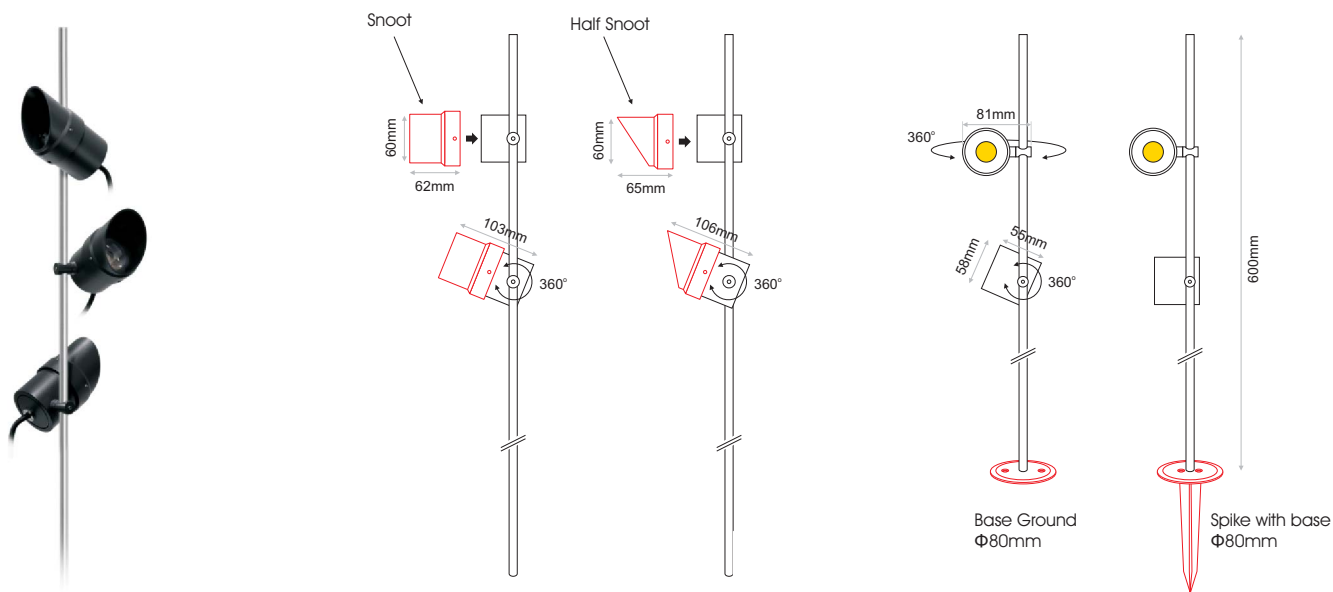


TRETTO

Installation Manual

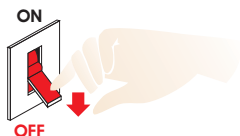


1

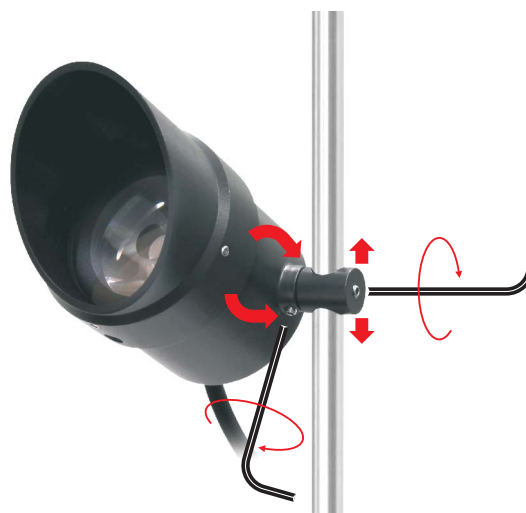


Attention

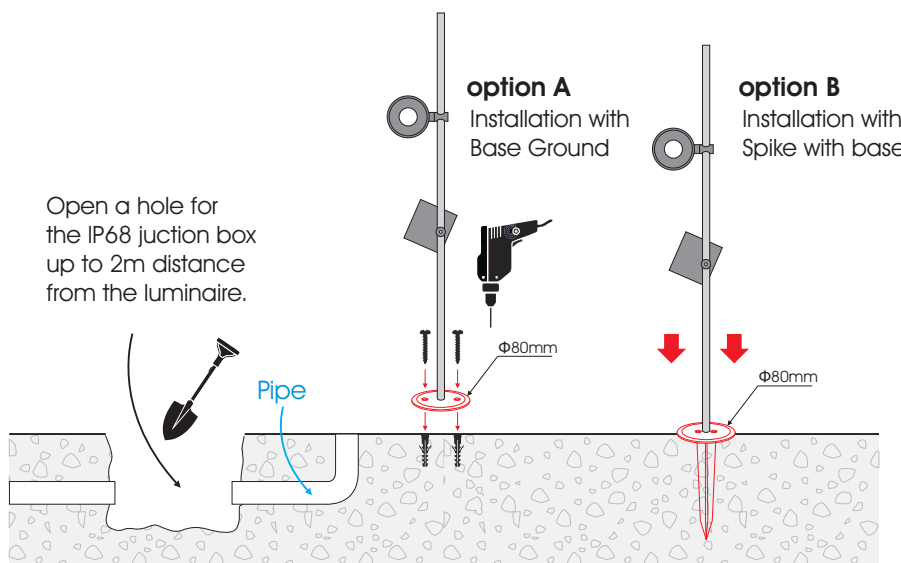
Switch off the main power.



2

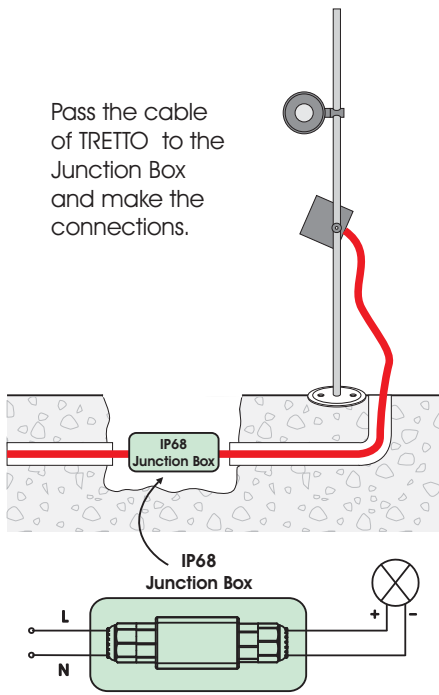


3



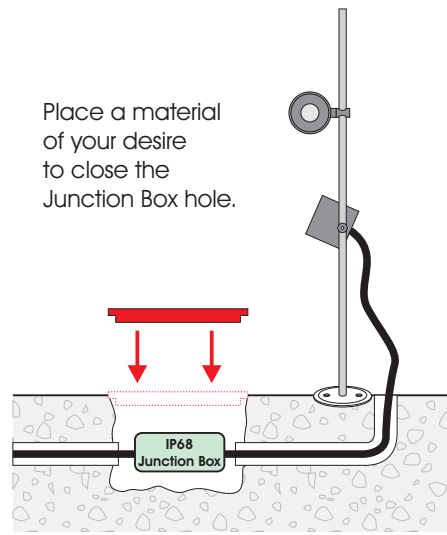
4

Pass the cable of TRETTO to the Junction Box and make the connections.



5

Place a material of your desire to close the Junction Box hole.



6

